

H-5000

SPECIFICATION SHEET



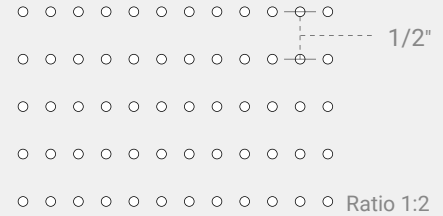
5 IN. FLOATING CONTINUOUS HANGER FOR HEMMED BACK GUTTERS

PRODUCT

- Product for hemmed back rain gutters
- Supports the gutter without screwing through it
- Supports 421 lbs (190 kg)/linear foot
- Allow gutters to move with temperature changes
- Uniform support across the entire length
- Lifetime warranty on material and sturdiness
- 40-year anti-clog warranty
- Invisible from the ground
- Package contains:
 - 7.5' (2.29 m) x 34 pcs = 255' (77.7 m)
 - 300 screws (see description below)
 - 12 end trims (see description below)

PERFORATIONS

- 7/64" (2.8 mm) in diameter
- Drains 29.7" (754 mm) of water per hour
- Offers the perfect balance between maximum drainage and debris protection without puncturing the gutter



ALUMINUM

- Colour: Carbon Black B95
- Grade: 3105 H24
- Thickness: 0.0175" (including finish)

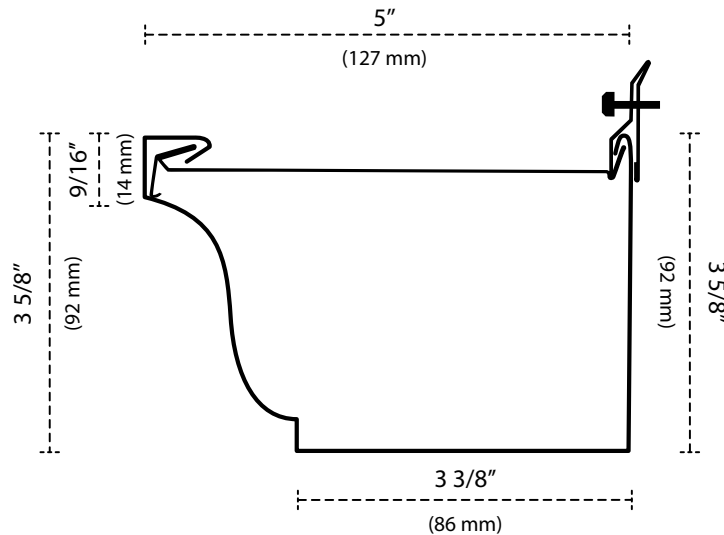


View the results of our independent drainage, resistance, and wind tunnel tests at www.alu-rex.com/en/tests.

Tolerances

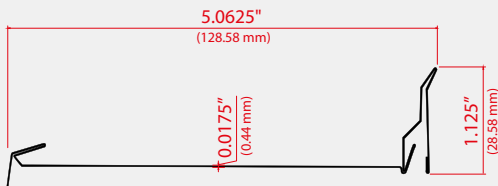
x.xxx" = +/- 0.005" (0.127 mm)
x.xxxx" = +/- 0.0005" (0.0127 mm)

5" GUTTER PROFILE



This product is protected by a number of patents.

PROFILE



SCREWS

- This hanger is installed with black self-sealing screws made of zinc #10 -1 1/2" (38 mm) with 1/4" (6.4 mm) hexagon heads and integrated rubber gaskets.



END TRIMS

- At the end cap of the gutter, an end trim is installed to leave a gap for the gutters heat distortion.

